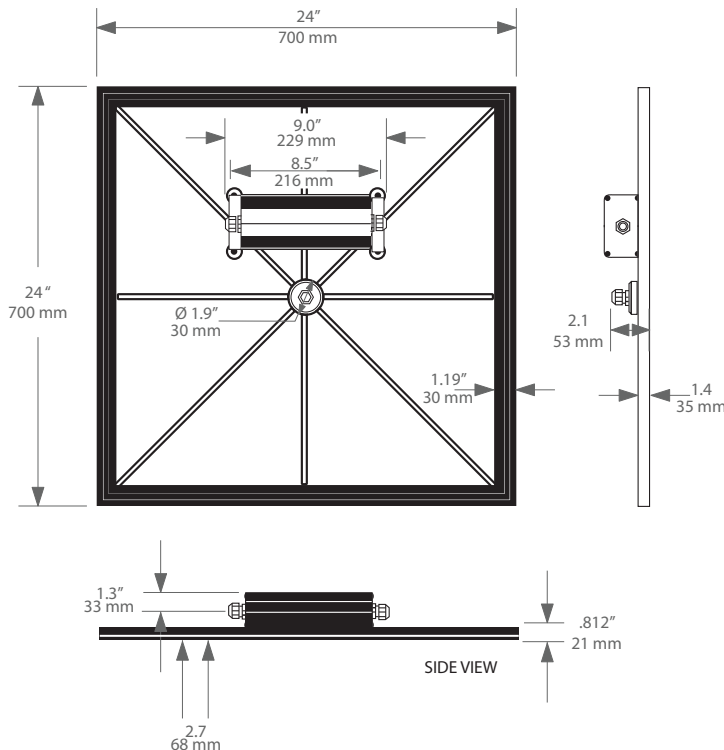
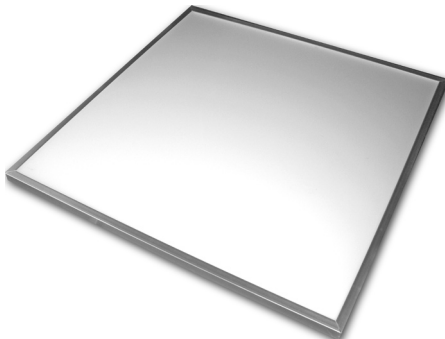


SL-2x2

SMARTLINE SERIES



PROPERTIES

Affineon's Smartline 2x2 series are LED luminaires for drop ceiling, surface mount, and suspended applications. A 1:1 replacement for a 2'x4' fluorescent fixture, the Smartline 2x2 series are available in a variety of color temperatures, are line voltage dimmable, and driven with a 64W power supply. DMX and various control capabilities are optional. Ultra-thin form allows many design applications and ideas, including zero plenum.

CHARACTERISTICS

Affineon's Smartline LED luminaires provide uniform, soft illumination and extended lifetime with significant savings over typical three-lamp parabolic fluorescent fixtures. The Smartline 2x2 series provide 40%+ energy savings while meeting IESNA recommended illumination levels. Ideal for use in office, hospital, retail, educational, correctional facilities, and other commercial applications requiring a low-lighting power density and LEED points.

SPECIFICATIONS

Materials: Anodized aluminum extrusion with acrylic layers, 20 gauge steel back plate.

Finish: Anodized aluminum. Custom color trim kits available soon.

Power Supply: Power supply included. 120VAC, 60 Hz. Multi-voltage 85-277V, 50-60Hz available

Power Consumption: 64 Watts

LED's: High brightness LED's – Cool white, daylight white, or warm white

Lamp Life: 70% lumen maintenance at 50,000 hours, 25C

Beam Angles: 360 x 180 degrees. 360 x 90 degrees (optional)

Dimming: Smooth dimming (standard)

Dimensions: 24' x 24' x .812"

Mounting: Standard T-Track

Weight: 16 lbs.

Warranty: 3 years limited parts

PHOTOMETRICS:

Lumens:

Cool White – 4,171

Daylight White – 3,754

Warm White – 3,378

MODEL	LED	BEAM ANGLE	FINISH
SL-2x2	CW – Cool White 5200K	360x180 – 360 x 180 degrees (Standard)	S – Silver Anodized Aluminum Alloy (Standard)
	DW – Daylight White 4200K	PRISM – 360 x 90 degrees	H – Hard Anodizing
	WW – Warm White 3200K		C – Custom Colors Available

